

Cream separator Milky FJ 90 PP

User's manual

TABLE OF CONTENTS

General safety recommendations	2
Technical Specifications	3
Unpacking and Set Up	3
Accessories	3
Assembling Procedure	4
List of composing parts	5
Top Bowl assembling Procedure	6
Skimming Procedure	7
Skimming Regulation	8
Maintenance and Cleaning	9
Top Bowl cleaning Procedure	10
Spare parts ordering Procedure	11
Warranty	11

GENERAL SAFETY RECOMMENDATIONS

- **Before any installation read this manual very carefully.**
- **Make sure, that you have closed top bowl fixing nut tightly enough.**
- **Disconnect device from mains before cleaning.**
- **Don't repair the device by yourself, in case of malfunction rather call authorized service provided by your distributor.**
- **Take care that water or humidity will not come into the device, specially by cleaning procedures.**
- **In case of serious malfunctions unplug the device from mains and call authorized service.**
- **In case that device is not functioning properly even you have exactly followed instructions described in this manual, you are allowed to use only those procedures which are allowed by manual. Use of any other procedures or adjustments could result in device destruction or longer service time. Injuries connected with such procedures can not be matter of any product liability claims.**

We are glad that you decide to buy our cream separator and we promise you that it will serve you for a long time if you will use and clean it according to descriptions stated in this User`s manual.

TECHNICAL SPECIFICATIONS

		90 1	130 1
Operating Voltage (model 230V)	V / Hz	230 / 50	230 / 50
Operating Voltage (model 115V)	V / Hz	115 / 60	115 / 60
Motor Power	W	70	70
Max. Rotating speed	RPM	9500	9500
Max. Capacity	l / h	90	130
Max. Container capacity	l	12	10
Recommended capacity for skimming	l	to 60	to 100
Relief disc	pcs	7	11
Plain disc	pcs	6	10
Net weight	kg	3,50	4,70
Protection type		IP 23	IP 23

Recommended skimming capacity is volume of the milk that can be skimmed within one skimming cycle. It depends how much solid parts are in the milk. If the flow of the skimmed milk is reduced than the discs and the bowl must be cleaned.

UNPACKING AND SET UP

Take the device out of the cardboard box and remove packing inserts. Place it on the plain and stable surface in clear and dry place. Fixing the device on the surface is recommended. If you want to fix it on the surface, take the screws and fix it on the surface.

ACCESSORIES

In each package you will find also following accessories:

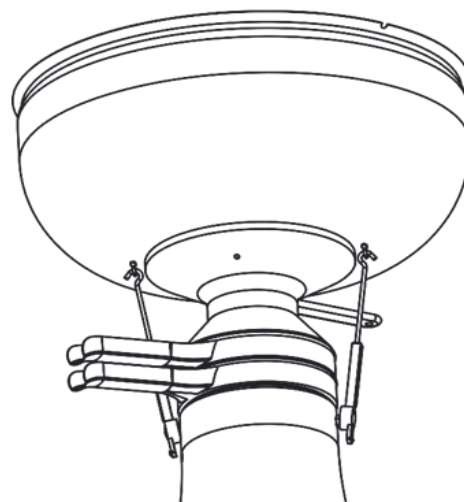
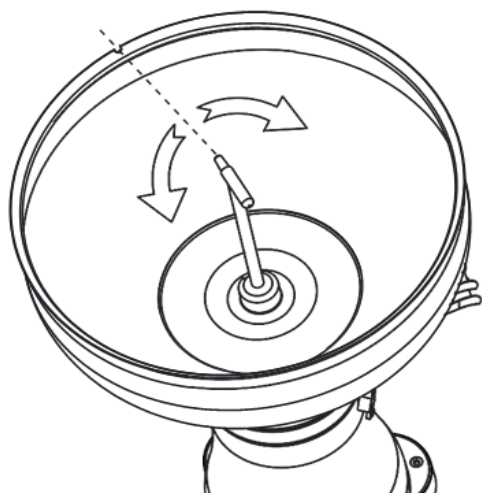
- Operating Manual
- Cleaning brush 371067
- Key for bowl fixing nut and cream screw 3712069
- Spare rubber washer 3711033
- Screws

Please note!

Be careful not to use cream separator with damaged mains cord!

ASSEMBLING PROCEDURE

1. Put the housing on a desk or other plain and stable surface.
2. Put assembled top bowl on the conical motor beam and softly press it.
3. Put skimmed milk funnel on the top of the housing and then also cream funnel on the top of previous one.
4. Turn top bowl with hand and check if is not touching one the funnels and adjust funnels to desired position for skimming.
5. Place the holder for milk container on the top of both funnels. Place floating device in it. Then place milk container on the top. Fix all together with holder on housing (look picture below).
6. Place closing cork in the hole situated in the middle of milk container. The narrow side of the closing cork handle must be turned away from the cut in the container (see picture). The milk outflow will be closed.



Fixing parts with rubber holder (detail).

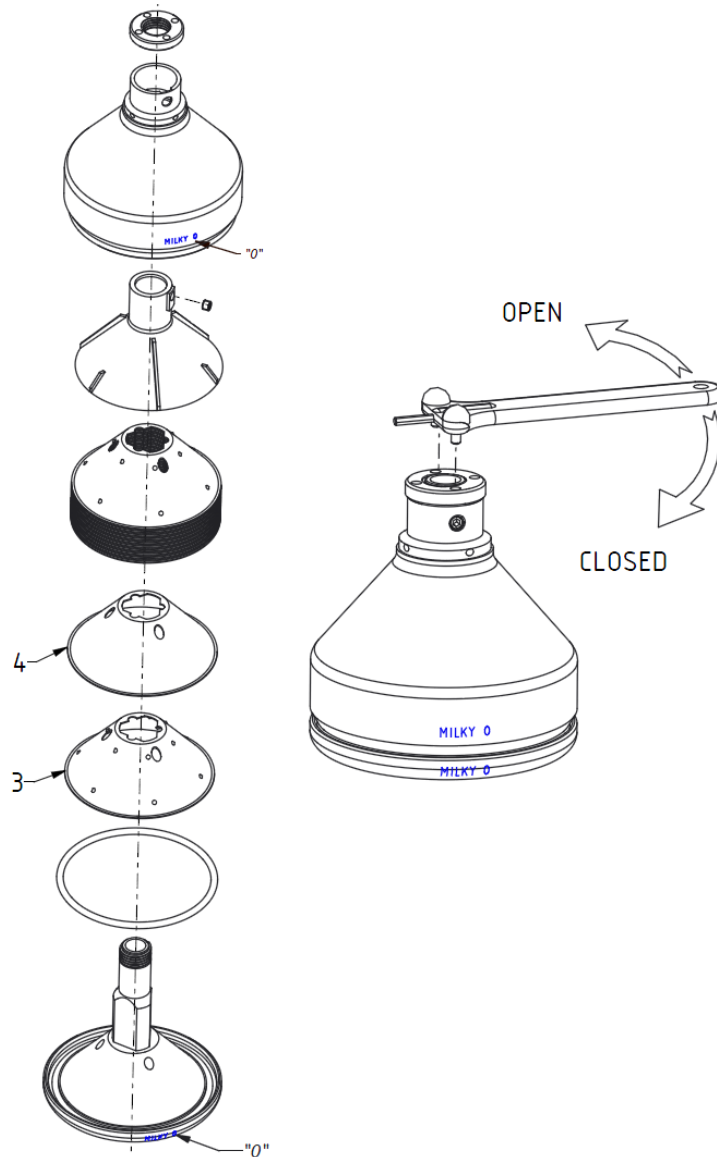
Only on FJ 130

Please note!

The closing cork must be closed, when you fill the container. This means that the thick side of the closing cork handle must be turned to opposite direction of the cut in the container.

T

1. Put the rubber washer in to the notch of top bowl bottom part.
2. Place the metal discs. You have to take care by discs placement - device uses two different types of disks - plain discs and relief discs. First you have to insert relief disc, then plain disc and repeat the procedure until all discs are placed. By disc placement avoid any use of force. With gently shaking and turning of the top bowl bottom part all the discs will find their place very easily.
3. Put plastic partition in the top bowl cover part.
4. When assembling place both assembled parts of top bowl together. Take care that top bowl cover part mark "0" and top bowl bottom part "0" are in the same direction.
5. Screw the top bowl fixing nut with hand and fix it strongly with the fixing key. The mark "0" must stay in the same direction. The fixing nut must be strongly fixed, because it is exposed to high forces.



3 - Relief disc
4 - Plain disc

SKIMMING PROCEDURE

Best skimming results are achieved if you start to skim immediately after milking. If milk is cooled, you have to warm it up to temperature between 30 to 35 °C. You can not skim milk with temperature lower than 30 °C. When the milk is properly warmed up, pour it in the container.

- Switch on cream separator with switcher 0 / I and wait 30 seconds that top bowl reaches working speed.
 Cream separator FJ 130 has above the switcher a signal lamp which, by switching on the separator, shines red, and when machine reaches working speed starts to shine green.
- Only then you are allowed to turn closing cork to open position. The end of the closing cork is turned to the cut (tooth) in the container and flow is opened.
- If milk is coming out of the housing hole means, that:

-
- ~~o You have opened closing cork before the motor had reached working speed,~~
 - o Top bowl nut was not fixed enough,
 - o Rubber washer is placed badly or it is destroyed.

When this is the case, close the closing cork, turn the milk separator OFF and correct the problem.

Please note!

After you have finished skimming procedure pour approximately 1/2 l of skimmed milk back into milk container. This will clean the rest of cream in the top bowl. After all procedures taken, simply turn OFF the device and wait until motor stops.

Closing cork must always be closed before you turn off the device !

Before each skimming procedure, the bowl must be clean and dry

Please note!

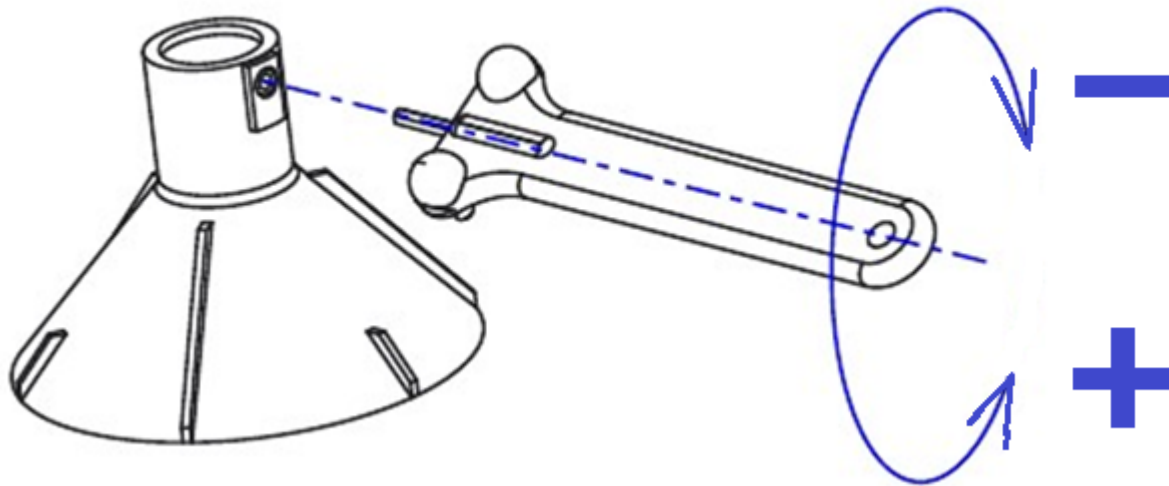
Always check if rubber washer is damaged or too much extended. In such case you have to replace it with new one.

SKIMMING REGULATION

The cream separator is factory adjusted, so you get around 10 % of cream from whole milk volume at milk temperature 35 °C. If you want different density or volume of cream, you can adjust hexagonal adjusting screw (placed in the plastic partition in top bowl upper part).

- If you want more density cream – smaller volume, you have to turn it towards right (clockwise)
- If you want less density cream – higher volume, you have to turn it towards left (counter clockwise). In most cases it is enough to turn adjusting screw for ¼ of the rotation.

Cream adjusting screw details and function



- **Smaller cream volume and higher cream density**

+ **Higher cream volume and smaller cream density**

Please note!

You have to take care that not fix the adjusting screw too deep, because you can harm the screw coil! You have to take care not to unscrew the regulation screw too much. If you have done so, you will have problems by disassembling the plastic partition and the top bowl upper part.

MAINTENANCE AND CLEANING

1. All parts of the top bowl should be cleaned with hot water in which you should add some detergent.
2. Rests of milk, cream or other impairs should be cleaned with soft duster or cleaning brush. Specially take care, that you clean very precisely all the holes in top bowl upper part, top bowl bottom part and in adjusting screw. For cleaning this parts cleaning brush is strongly recommended! Other parts of the separator that come in touch with milk, should

~~also be cleaned with hot water in which some detergent is added. Then rinse parts in clean water.~~

3. If milk or cream rests get dry do not remove them with sharp objects or sharp duster. It can easily happen that you ruin galvanic protection cover or plastic parts.
4. Before cleaning cream separator housing you must before such procedure always disconnect device from mains. Clean it first with wet duster and then try it with dry duster. Take care that water doesn't come into the device.

Ensure that no water comes into contact with the motor and other electric part.

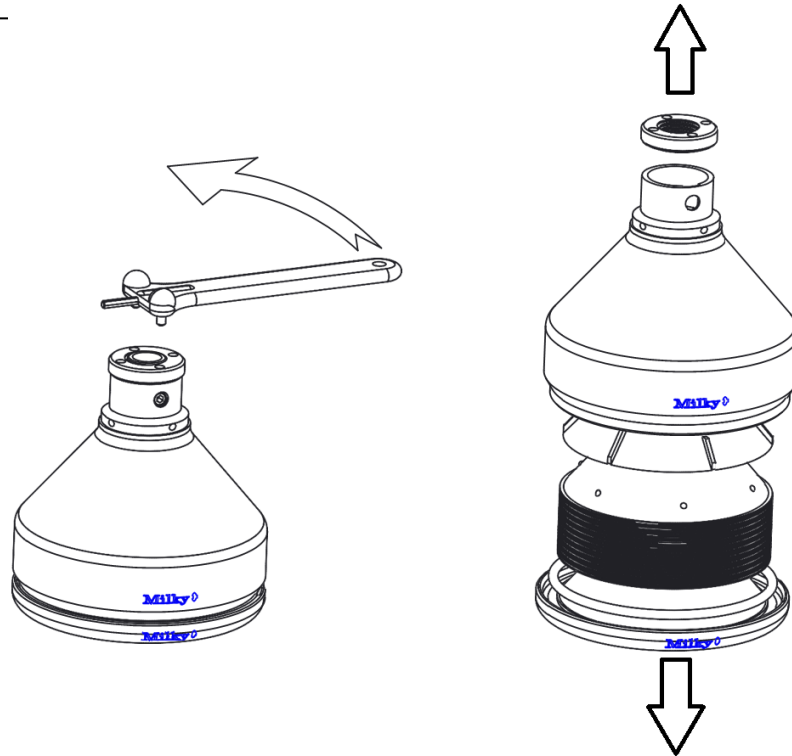
Please note!

Device is protected against direct water access, but you should always take care to avoid that water comes into the device!

Before cleaning device must always be disconnected from main supply!

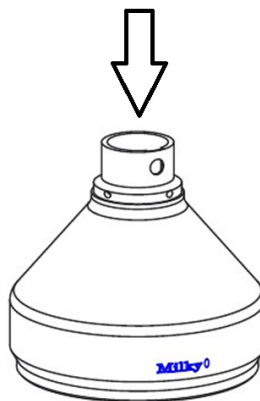
TOP BOWL CLEANING PROCEDURE

With the key, which is packed with the cream separator, unscrew top bowl fixing nut as it is shown on the picture.



The easiest way to perform this procedure is:

1. Fix key into the holes, which are on the top bowl fixing nut
2. With stronger press on the other key end turn fixing nut until you release it. After that you can unscrew the nut easily with hand.
3. Dismount the top bowl cover with help of fixing nut key and separate all different pieces you will find under the cover - plastic partition, metal discs and rubber washer and clear them with hot water. To achieve better results, cleaning detergent can be added to the hot water.



4. Wash all the parts with hot water and dry them with dry and soft duster.

Please note!

***If you can not mount top bowl off the motor after skimming, shake it gently.
Please avoid to use force – you can harm the device most precise parts.***

LIST OF COMPOSING PARTS

	Part name	FJ 90 EAP	FJ 130 -LL EAR-LED
1	Foot	3711019	3711019
2	Bottom cover	3171017	3171017
3	Motor 230 V	17595	26000
3	Motor 115 V	17596	26001
4	Main switch	371151	371151
5	Cover of main switch	371153	371153
6	Housing - green	3712005-G	375005-G
6	Housing - blue	3712005-B	375005-B
6	Housing - silver	3712005-S	375005-S
7	Mains cord assembly 230 V	26002	26002
7	Mains cord assembly 115 V	26003	26003
8	Holder assembly	/	375069
9	Bearing cover	3711013	3711013
10	Top bowl assembly	3712021	375021
11	Outlet for milk	3711037	375037
12	Outlet for cream	3711039	375045
13	Container holder inox	/	35051
13	Container holder - green	3711041-G	/
13	Container holder - blue	3711041-B	/
13	Container holder - silver	3711041-S	/
14	Floater inox	/	375059
14	Floater plastic	3752045	/
15	Container	371051	375063
16	Container washer	/	371055
17	Closing cork	3711061	3711061

TOP BOWL PARTS

	Part name	FJ 90	FJ 130-LL EAR-LED
1	Top bowl assembly	3712021	375021
2	Rubber washer	3711033	3711033
3	Metal disc 1	3711025	3711025
4	Metal disc 2	3711026	3711026
5	Plastic partition	3711029	3711029
6	Cream regulation screw	103444	103444
7	Fixing key assembly	3712069	3712069
8	Cleaning brush	371067	371067

Look drawings on page 12!

SPARE PARTS ORDERING PROCEDURE

Fast and reliable shipment of spare parts is possible only if their description is clear enough. At the time of ordering please state clearly:

1. Type of cream separator.
2. Serial number printed on label plate at the rare side of device.
3. Part name and code number of wished spare part.

WARRANTY

1. In case of troubles consult with your salesman or call authorized service organized established distributor.
2. Equipment is warranted to be free from defects in material and workmanship for a period of 12 months against faulty components and assembly. Our obligation under this warranty is limited to the repair or replacement of the instrument or part thereof, which shall within 12 months after date of shipment prove to be defective after our examination.

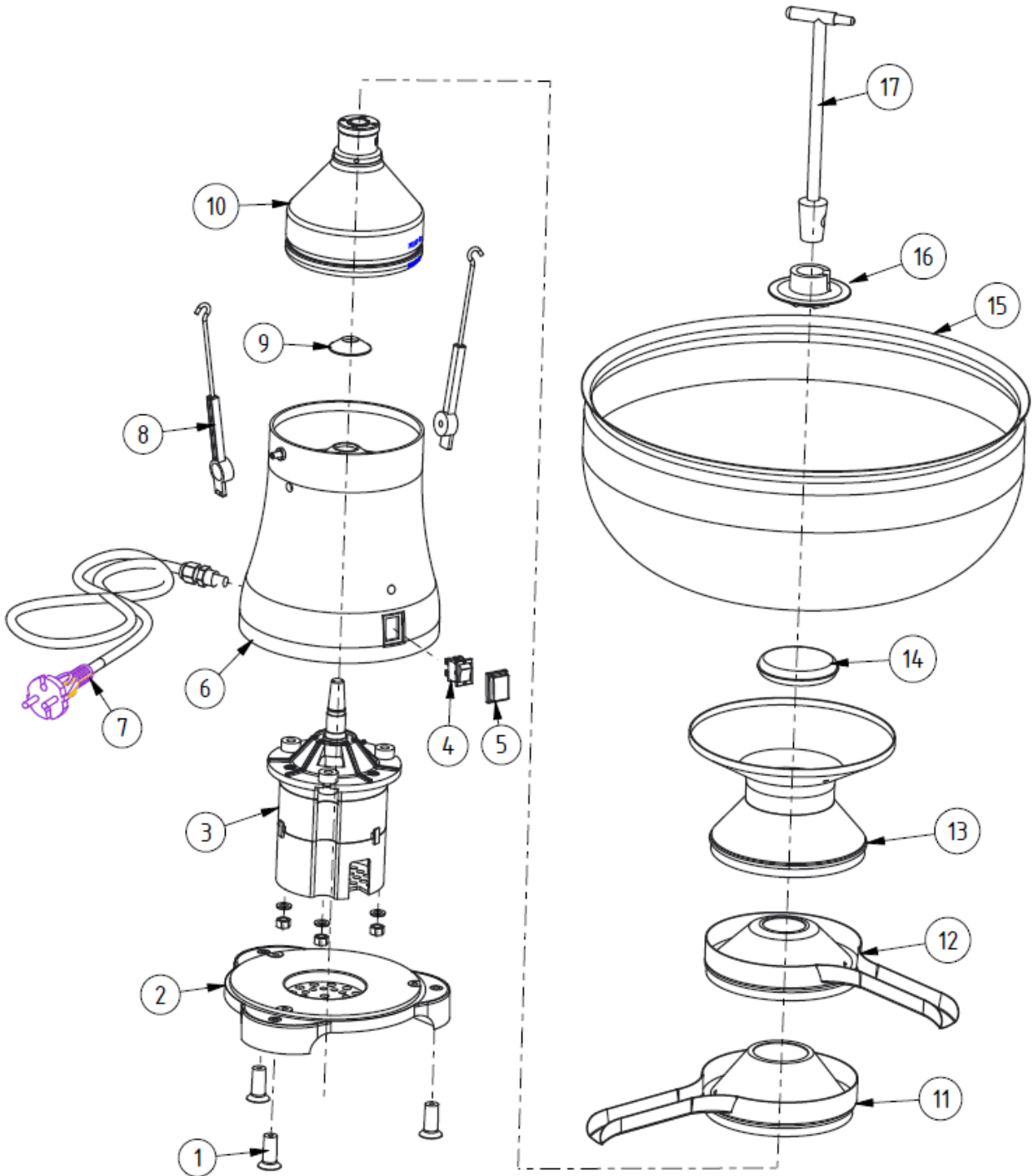
3. Defects or injuries of the device, which are result of improper assembly, use, connect or maintenance are not covered by this warranty.
4. The warranty also doesn't cover:
 - Motor, destroyed by water or milk inflow,
 - Mains cord.
5. The given technical specifications are valid only when all conditions in this user's manuals are fulfilled.
6. Other rights, that are not mentioned in upper obligations of the manufacturer, especially responsibility for personal injury, are excluded.

Dear Customer!

We are sure, that you will find out our cream separator as a helpful tool and we believe that it will serve you for a long time without any problems! We hope it will be recommended also your friends!

Thank you for buying it!

COMPOSING PARTS DRAWINGS for cream separator FJ 90 and FJ 130



Part number 8 and 16 are only on Cream separator FJ 130!

**COMPOSING PARTS FOR TOP BOWL ASSEMBLY-exploded view
for cream separator FJ 90 and FJ 130**

